

XRC 100-100DV (powered by X-RAYCENTER) **BAGGAGE / PARCEL IMAGING SYSTEM WITH DOUBLE GENERATOR (DUAL VIEW)**

The XRC 100-100DV model has the safest possible design with the tunnel dimensions of 100 cm in width by 100 cm in height, so there are no threats to operators.

This top-of-the-line machine provides exceptional facilities to detect.

The XRC 100-100DV offers a clear imaging picture along with three international language selections (English, Italian and Turkish), and functions to reduce user-related errors. Our proprietary x-ray scanning operating system runs a stabile Linux platform insuring greater system stability.

Our new systems include an ergonomic design that is easy to install and maintain including a dual energy scan.

The XRC 100-100DV innovative design includes a lockable unique touch keyboard console with touch pad mouse.

In the world of Imaging Technology, SecurSCAN is superior in many respects to other brands, however, it is our promise to provide the most services and best economic product possible that separates us from our competitors.

We meet all international safety regulations, meet CE equipments, and offer a complete line of x-ray scening systems.

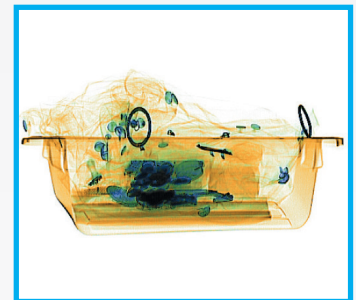


STANDARD FEATURES:

- Double X Ray Generator
- Multi Energy Imaging (4-6 colors)
- Atomic Z Number Measurement
- Perfect View (PV)
- Edge Enhancement (EE)
- Black / White (B/W)
- Organic / Inorganic Separation (OM/IM)
- Pseudo Colors (PS)
- Inverse View (IN)
- High Penetration (HP)
- Variable Edge Clarification (+E / -E)
- Variable Color Separation (+C / -C)
- Variable Contrast Level (+G / -G)
- Variable Density Zoom (+D / -D)
- Real Time Image Processing and Zoom (64x)
- Image of Previous Baggage
- Manual Image Archiving
- Automatic Image Archiving
- First in First Out Archiving (FIFO)
- Programmable Function Keys
- Baggage Counter
- Date / Time Indicator
- UPS (for computer)
- Flat Panel LCD Monitor
- Threat Image Projection (TIP)
- Organic Danger Alarm
- Inorganic Danger Alarm
- Operator Training Program (OTP)
- Suspicious Bag Alarm
- Remote Operator Console



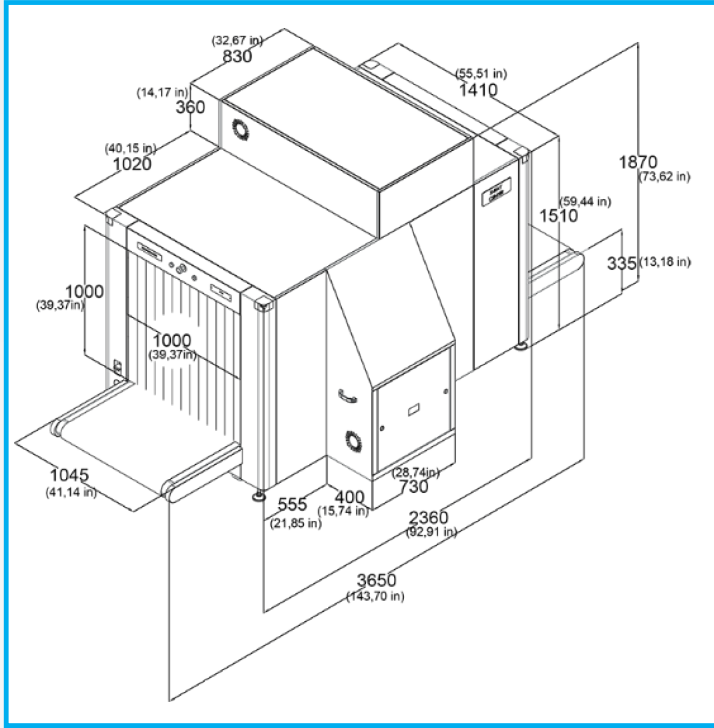
Horizontal Viewing



Vertical Viewing

XRC 100-100DV (powered by X-RAYCENTER)

BAGGAGE / PARCEL IMAGING SYSTEM WITH DOUBLE GENERATOR (DUAL VIEW)



COMPUTER SPECIFICATION

Processor:	Intel® Core™ i3 2120
Monitor:	21" LED color
Memory:	2GB RAM min.
Video Card:	1GB min.
Hard Drive:	500 GB min.
USB Port:	6 port min.
Operating System:	Linux

OPERATING ENVIRONMENT

Storage Temperature:	-20° to +60°C
Operating Temperature:	-10 to +50°C
Relative Humidity:	5-95%

HEALTH AND SAFETY

All SecurSCAN X-Ray products meet all applicable international health and safety regulations. USFDA Federal Standard 21CFR 1020.40 Health and Safety at Work Act 1974-compliant. Maximum level of radiation the exterior panels come in contact with is less than 0,1 mrem / hr (1μSv / hr). Film Safety: ISO 1600 / 33 DIN CE Compliance: Certified Due to continuous product development, SecurSCAN reserves the right to change specifications without notice.

PHYSICAL PROPERTIES

- Dimensions: Length: 365 cm.
Height: 181 cm.
Width: 187 cm.
- Tunnel Dimensions: 100 cm. (W) x 100 cm. (H)
- Conveyor Speed: 0,20 m/sec.
- Conveyor Load Capacity: 165 Kg. (evenly distributed)
- Conveyor Height: 33,5 cm.
- System Power: 230 VAC +/- 10% / 60/50 Hz (EU)
110 VAC +/- 10% / 60/50 Hz (US)

X-RAY GENERATOR & IMAGE PERFORMANCE

- Steel Penetration: Image1: 35 mm. guaranteed / 37 mm. typical
Image2: 38 mm. guaranteed / 40 mm. typical
- Wire Resolution: 36 AWG guaranteed / 38 AWG typical
- Generator Cool: Oil and forced air cooling
- Anode Voltage: 180 kV rated
- Tube Current: 1 mA
- Direction of X-Ray: Vertically upward, horizontal
- Generators Quantity: 2