

## XRC 100-100 LC (powered by X-RAYCENTER)

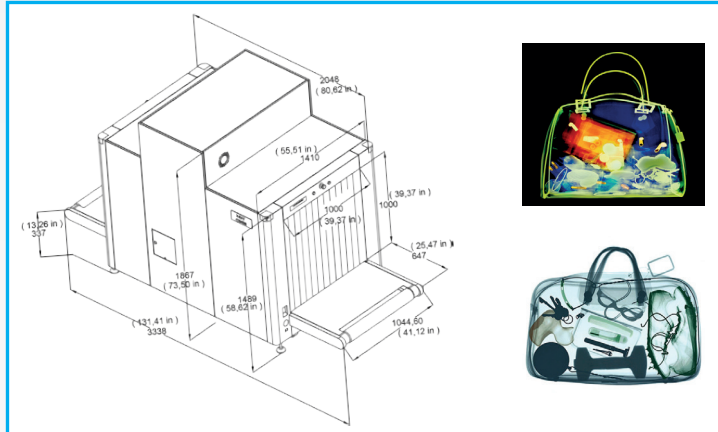
### BAGGAGE / PARCEL IMAGING SYSTEM

The XRC 100-100 LC model has the safest possible design with the tunnel dimensions of 100 cm in width by 100 cm in height, so there are no threats to operators. This top-of-the-line machine provides exceptional facilities to detect.

The XRC 100-100 LC offers a clear imaging picture along with three international language selections (English, Italian and Turkish), and functions to reduce user-related errors. Our proprietary x-ray scanning operating system runs a stable Linux platform insuring greater system stability.

The XRC 100-100 LC innovative design includes a lockable unique touch keyboard console with touch pad mouse.

In the world of Imaging Technology, SecurSCAN is superior in many respects to other brands, however, it is our promise to provide the most services and best economic product possible that separates us from our competitors.



#### STANDARD FEATURES:

- Detail Enhancement (PV)
- Edge Enhancement (EE)
- Black / White (B/W)
- Organic / Inorganic Separation (OM/IM)
- Pseudo Colors (PS)
- Inverse View (IN)
- High Penetration (HP)
- Variable Edge Enhancement (+E / -E)
- Variable Color Separation (+C / -C)
- Variable Contrast Level (+G / -G)
- Variable Density Zoom (+D / -D)
- Zoom (64x)
- Sniper Zoom
- Recall Previous Images Mode
- Programmable Function Keys
- Manual Archive
- Automatic Archive
- Baggage Counter
- Date / Time Indicator
- Threat Image Picture (TIP)
- Organic Danger Alarm
- Inorganic Danger Alarm
- Atomic Number Display (Z Value)
- Multi Energy Viewer (4-6 color)
- Operator Training Program (OTP)
- UPS (for computers)
- Flat Panel LED Monitor
- Remote Operator Console



#### PHYSICAL PROPERTIES

- Dimensions: 333x186x141 cm. (LxHxW)
- Tunnel Dimensions: 100 cm. (W) x 100 mm. (H)
- Conveyor Speed: 0,20 m/sec.
- Conveyor Load Capacity: 165 Kg. (evenly distributed)
- System Power: 230 VAC +/- 10% / 60/50 Hz (EU)

#### X-RAY GENERATOR & IMAGE PERFORMANCE

- Steel Penetration: 35 mm. guaranteed / 37 mm. typical
- Wire Resolution: 36 AWG guaranteed / 38 AWG typical
- Generator Cool: Oil and forced air cooling
- Anode Voltage: 180 kV rated
- Tube Current: 1 mA
- Direction of X-Ray: Vertically downward

#### COMPUTER SPECIFICATION

- Processor: Intel® Core™ i3 (or superior)
- Monitor: 21,5" LED color, flicker free
- Memory: 4GB RAM min.
- Video Card: 2GB min.
- Hard Drive: 500 GB min.
- USB Port: 6 port min.
- Operating System: Linux

#### OPERATING ENVIRONMENT

- Storage Temperature: -20° to +60°C
- Operating Temperature: -10 to +50°C
- Relative Humidity: 5-95%

#### HEALTH AND SAFETY

All SecurSCAN X-Ray products meet all applicable international health and safety regulations. USDFDA Federal Standard 21CFR 1020.40 Health and Safety at Work Act 1974-compliant. Maximum level of radiation the exterior panels come in contact with is less than 0,1 mrem / hr (1μSv / hr). Film Safety: ISO 1600 / 33 DIN CE Compliance: Certified Due to continuous product development, SecurSCAN reserves the right to change specifications without notice.