

XRC 60-40DV (powered by X-RAYCENTER)

BAGGAGE / PARCEL IMAGING SYSTEM WITH DOUBLE GENERATOR (DUAL VIEW)

The XRC 60-40DV model has the safest possible design with the tunnel dimensions of 600 mm in width by 400 mm in height, so there are no threats to operators.

This top-of-the-line machine provides exceptional facilities to detect.

The XRC 60-40DV offers a clear imaging picture along with three international language selections (English, Italian and Turkish), and functions to reduce user-related errors. Our proprietary x-ray scanning operating system runs a stable Linux platform insuring greater system stability.

Our new systems include an ergonomic design that is easy to install and maintain including a dual energy scan.

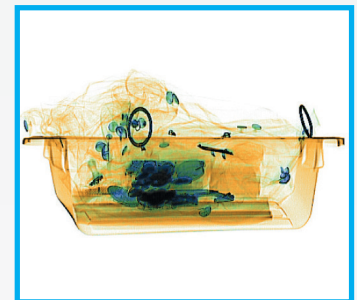
The XRC 60-40DV innovative design includes a lockable unique touch keyboard console with touch pad mouse.

In the world of Imaging Technology, SecurSCAN is superior in many respects to other brands, however, it is our promise to provide the most services and best economic product possible that separates us from our competitors.

We meet all international safety regulations, meet CE requirements, and offer a complete line of x-ray scening systems.



Horizontal Viewing



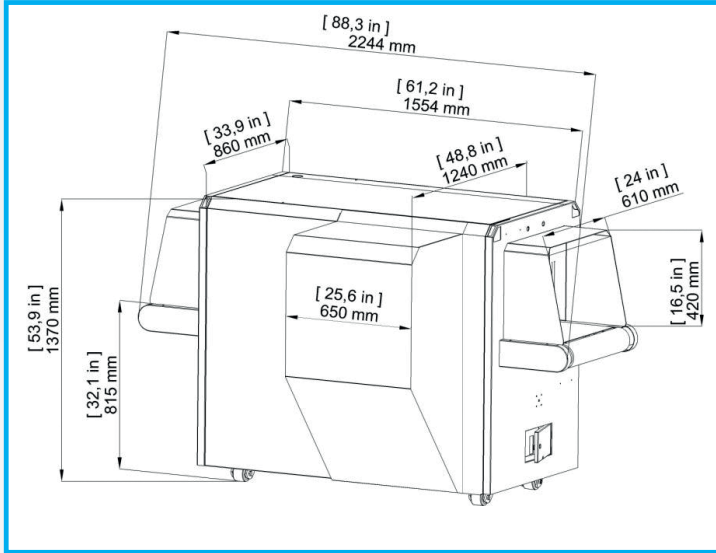
Vertical Viewing

STANDARD FEATURES:

- Double X Ray Generator
- Multi Energy Imaging (4-6 colors)
- Atomic Z Number Measurement
- Perfect View (PV)
- Edge Enhancement (EE)
- Black / White (B/W)
- Organic / Inorganic Separation (OM/IM)
- Pseudo Colors (PS)
- Inverse View (IN)
- High Penetration (HP)
- Variable Edge Clarification (+E / -E)
- Variable Color Separation (+C / -C)
- Variable Contrast Level (+G / -G)
- Variable Density Zoom (+D / -D)
- Real Time Image Processing and Zoom (64x)
- Image of Previous Baggage
- Manual Image Archiving
- Automatic Image Archiving
- First in First Out Archiving (FIFO)
- Programmable Function Keys
- Baggage Counter
- Date / Time Indicator
- UPS (for computer)
- Flat Panel LCD Monitor
- Threat Image Projection (TIP)
- Organic Danger Alarm
- Inorganic Danger Alarm
- Operator Training Program (OTP)
- Suspicious Bag Alarm
- Remote Operator Console

XRC 60-40DV (powered by X-RAYCENTER)

BAGGAGE / PARCEL IMAGING SYSTEM WITH DOUBLE GENERATOR (DUAL VIEW)



PHYSICAL PROPERTIES

- Dimensions: Length: 124 cm.
Height: 137 cm.
Width: 224 cm.
- Tunnel Dimensions: 61 mm. (W) x 42 mm. (H)
- Conveyor Speed: 0,20 m/sec.
- Conveyor Load Capacity: 165 Kg. (evenly distributed)
- Conveyor Height: 81,5 cm.
- Approx. Weight Unpacked: 750 Kg.
- System Power: 230 VAC +/- 10% / 60/50 Hz (EU)
110 VAC +/- 10% / 60/50 Hz (US)

X-RAY GENERATOR & IMAGE PERFORMANCE

- Steel Penetration: Image1, Image2: 30 mm. guaranteed / 33 mm. typical
- Wire Resolution: 38 AWG guaranteed / 40 AWG typical
- Generator Cool: Oil and forced air cooling
- Anode Voltage: 160 kV rated
- Tube Current: 0,7 mA
- Direction of X-Ray: Vertically upward
- Generators Quantity: 2

HIGH-PENETRATION X-RAY GENERATOR OPTION

(Versione XRC-6040DV- HP)

- Steel Penetration: 33 mm. guaranteed / 35 mm. typical
- Wire Resolution: 38 AWG guaranteed / 40 AWG typical
- Anode Voltage: 170 kV rated
- Tube Current: 1,0 mA

COMPUTER SPECIFICATION

- | | |
|-------------------|----------------------|
| Processor: | Intel® Core™ i3 2120 |
| Monitor: | 21" LED color |
| Memory: | 2GB RAM min. |
| Video Card: | 1GB min. |
| Hard Drive: | 500 GB min. |
| USB Port: | 6 port min. |
| Operating System: | Linux |

OPERATING ENVIRONMENT

- | | |
|------------------------|---------------|
| Storage Temperature: | -20° to +60°C |
| Operating Temperature: | -10 to +50°C |
| Relative Humidity: | 5-95% |

HEALTH AND SAFETY

- All SecurSCAN X-Ray products meet all applicable international health and safety regulations.
- USFDA Federal Standard 21CFR 1020.40 Health and Safety at Work Act 1974-compliant.
- Maximum level of radiation the exterior panels come in contact with is less than 0,1 mrem / hr ($1\mu\text{Sv} / \text{hr}$).
- Film Safety: ISO 1600 / 33 DIN
- CE Compliance: Certified
- Due to continuous product development, SecurSCAN reserves the right to change specifications without notice.